



HQC Series

Instrumentation Quick Couplings



quick couplings

HOKE Incorporated
405 Centura Court • PO Box 4866 (29305) • Spartanburg, SC 29303
Phone (864) 574-7966 Fax (864) 587-5608
www.hoke.com • sales@hoke.com



HQC Series

Instrumentation Quick Couplings



Typical Applications

- Laboratories
- University labs
- Gas distribution
- Biopharmaceutical

Technical Data

CONSTRUCTION	Brass or stainless steel
NOMINAL FLOW SIZES	1/4", 3/8", 1/2"
MAXIMUM OPERATING TEMPERATURE	3600 psi
Cv FACTORS	.31 - 1.86

Features & Benefits

- Leak tight sealing is achieved through multiple o-ring seals located in the couplers. Buna-N is standard in brass and Viton® is standard in 316 stainless steel.
- Poppet valves with dependable, integral o-ring seals are standard in coupler and plug in double-end-shutoff applications. In single-end-shutoff applications the poppet valve is installed in the body half.
- Valve guides align valves exactly to the coupler's valve seat preventing chance of leakage when in a disconnected mode.
- Locking mechanisms in bodies provide smooth positive sleeve engagement. A firm grip of the plug portion of the coupling assembly is assured with HOKE's Xylan®-coated stainless locking tabs.
- 316 stainless steel springs: all springs are constructed from 316 material.
- Gyrolok® nut and ferrule system provides leak-tight end connection.
- Keyed sleeves for all sizes
- HOKE HQC Series quick couplers are interchangeable with Swagelok®, Parker®, and TOMCO® components of the same style.
- Special High Tolerance NPT Thread

HOKE Incorporated

405 Centura Court • PO Box 4866 (29305) • Spartanburg, SC 29303
Phone (864) 574-7966 Fax (864) 587-5608
www.hoke.com • sales@hoke.com

quick couplings

HQC Series Instrumentation Quick Couplings

Rated Working Pressure (psi)

BODY SIZE	BRASS PRODUCTS			STAINLESS STEEL PRODUCTS		
	1/4"	3/8"	1/2"	1/4"	3/8"	1/2"
CONNECTED POSITION	2000	1000	500	3600	1500	750
DISCONNECTED POSITION	2000	1000	500	3600	1500	750
CONNECT UNDER PRESSURE	250	250	250	250	250	250

Spillage/Air Inclusion

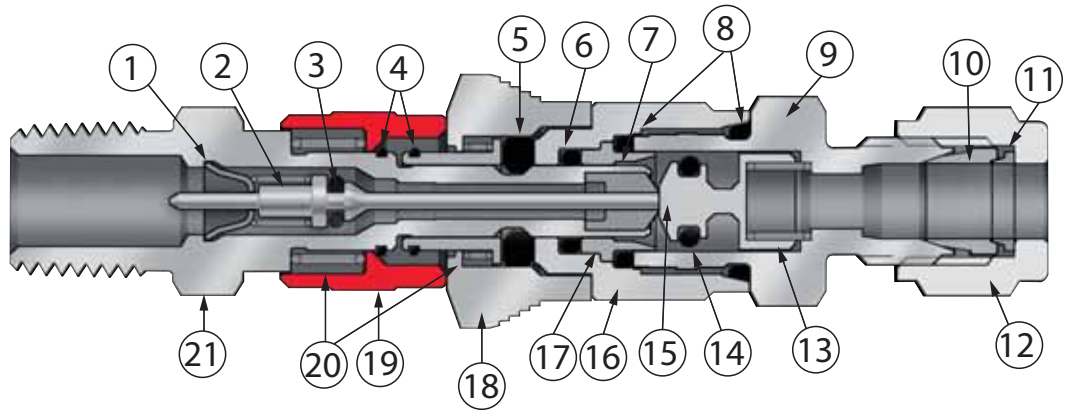
	AIR INCLUSION	SPILLAGE
HQC4	0.3 cm ³	0.3 cm ³
HQC6	1.0 cm ³	1.0 cm ³
HQC8	3.0 cm ³	3.0 cm ³

Materials of Construction

	BRASS PRODUCTS	STAINLESS STEEL PRODUCTS
MACHINED PARTS	CA360 Brass	Stainless Steel AISI type 316
SPRING AND RETAINING RINGS	Stainless Steel AISI type 316	Stainless Steel AISI type 316
SEALS	O-rings: Buna N is standard -40° F to +250° F	O-rings: Viton® is standard +20° F to +400° F

Standard seal lubrication is Krytox®.

- 1 Spider
- 2 Poppet
- 3 O-ring
- 4 Retaining ring
- 5 Locking tabs
- 6 Plug seal
- 7 Poppet guide
- 8 O-rings
- 9 Body
- 10 Gyrolok® front ferrule
- 11 Gyrolok® rear ferrule
- 12 Gyrolok® nut
- 13 Spring
- 14 O-ring
- 15 Poppet
- 16 Body housing
- 17 Body seat
- 18 Body sleeve
- 19 Plug sleeve
- 20 Spring
- 21 Plug

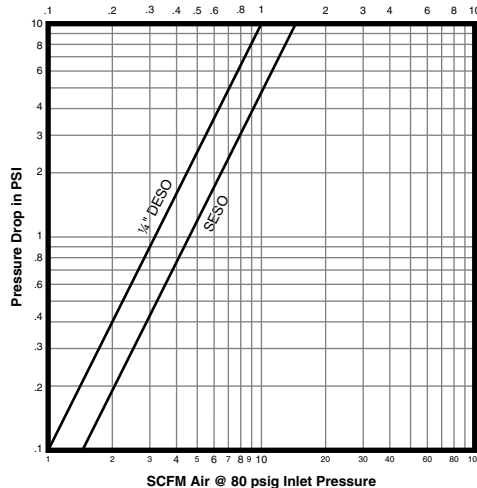


Flow

HQC4 SERIES

Max. Connect/Disconnect: 250 psig

Flow Rate of Water in GPM (68° F)

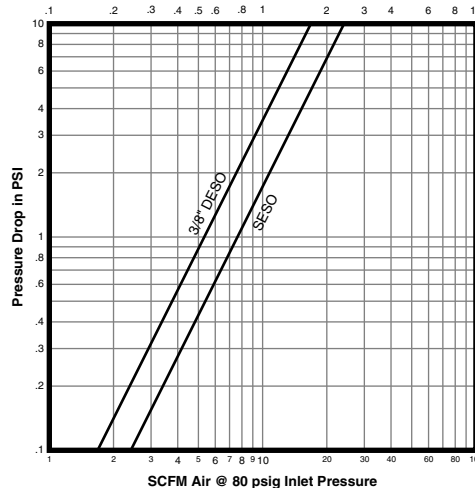


DESO $C_v = .31$
 SESO $C_v = .45$
 MAXIMUM FLOW RATE 4 GPM

HQC6 SERIES

Max. Connect/Disconnect: 250 psig

Flow Rate of Water in GPM (68° F)

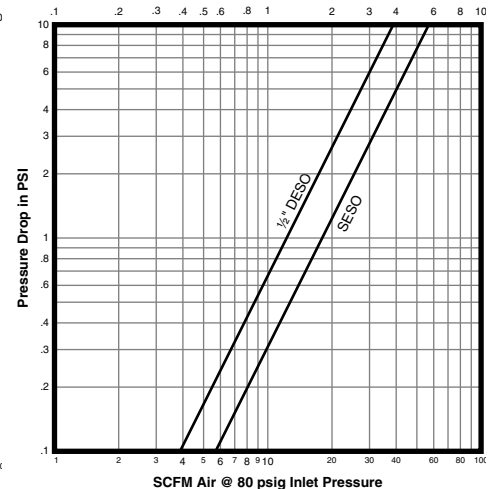


DESO $C_v = .53$
 SESO $C_v = .74$
 MAXIMUM FLOW RATE 6 GPM

HQC8 SERIES

Max. Connect/Disconnect: 250 psig

Flow Rate of Water in GPM (68° F)



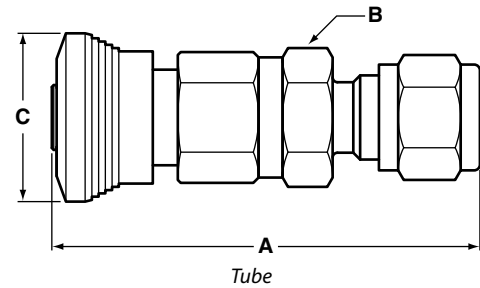
DESO $C_v = 1.26$
 SESO $C_v = 1.86$
 MAXIMUM FLOW RATE 10 GPM

HQC Series Instrumentation Quick Couplings

Dimensions: Body Assemblies with Valves

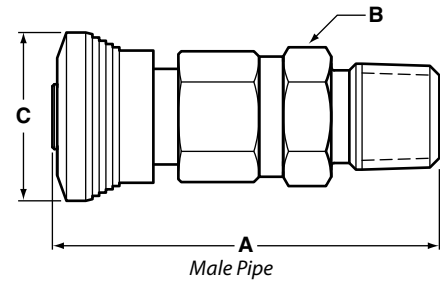
Tube

SERIES	BODY SIZE	TUBE SIZE	PART NO.	A	B HEX	C
HQC4	¼	⅝	HQC4-B-2-316	2.18	0.63	0.88
HQC4	¼	¼	HQC4-B-4	2.22	0.63	0.88
HQC4	¼	¼	HQC4-B-4-316	2.22	0.63	0.88
HQC4	¼	6mm	HQC4-B-6M0	56.4mm	16.0mm	22.4mm
HQC4	¼	6mm	HQC4-B-6M0-316	56.4mm	16.0mm	22.4mm
HQC6	⅝	⅝	HQC6-B-6	2.70	0.75	1.00
HQC6	⅝	⅝	HQC6-B-6-316	2.70	0.75	1.00
HQC6	⅝	10mm	HQC6-B-10M0	68.6mm	19.1mm	25.4mm
HQC6	⅝	10mm	HQC6-B-10M0-316	68.6mm	19.1mm	25.4mm
HQC8	½	½	HQC8-B-8	3.24	0.94	1.13
HQC8	½	½	HQC8-B-8-316	3.24	0.94	1.13
HQC8	½	12mm	HQC8-B-12M0	82.3mm	23.9mm	28.7mm
HQC8	½	12mm	HQC8-B-12M0-316	82.3mm	23.9mm	28.7mm



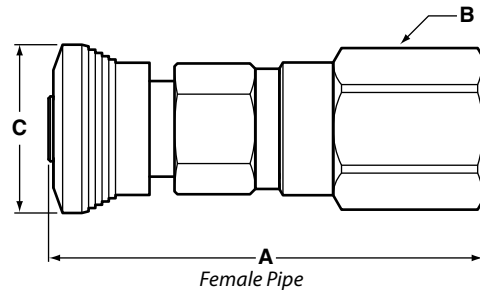
Male Pipe

SERIES	BODY SIZE	PIPE THREAD	PART NO.	A	B HEX	C
HQC4	¼	⅝ NPT	HQC4-B-2M	1.83	0.63	0.88
HQC4	¼	⅝ NPT	HQC4-B-2M-316	1.83	0.63	0.88
HQC4	¼	¼ NPT	HQC4-B-4M	2.01	0.63	0.88
HQC4	¼	¼ NPT	HQC4-B-4M-316	2.01	0.63	0.88
HQC4	¼	¼ BSPT	HQC4-B-4MT	2.01	0.63	0.88
HQC4	¼	¼ BSPT	HQC4-B-4MT-316	2.01	0.63	0.88
HQC6	⅝	¼ NPT	HQC6-B-4M	2.43	0.75	1.00
HQC6	⅝	¼ NPT	HQC6-B-4M-316	2.43	0.75	1.00
HQC6	⅝	⅝ NPT	HQC6-B-6M	2.43	0.75	1.00
HQC6	⅝	⅝ NPT	HQC6-B-6M-316	2.43	0.75	1.00
HQC6	⅝	⅝ BSPT	HQC6-B-6MT	2.43	0.75	1.00
HQC6	⅝	⅝ BSPT	HQC6-B-6MT-316	2.43	0.75	1.00
HQC8	½	½ NPT	HQC8-B-8M	2.83	0.94	1.13
HQC8	½	½ NPT	HQC8-B-8M-316	2.83	0.94	1.13
HQC8	½	½ BSPT	HQC8-B-8MT	2.83	0.94	1.13
HQC8	½	½ BSPT	HQC8-B-8MT-316	2.83	0.94	1.13



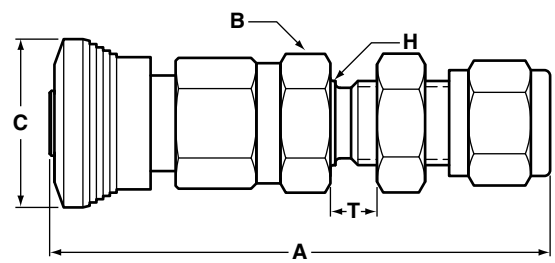
Female Pipe

SERIES	BODY SIZE	PIPE THREAD	PART NO.	A	B HEX	C
HQC4	¼	⅝ NPT	HQC4-B-2F	2.10	0.63	0.88
HQC4	¼	⅝ NPT	HQC4-B-2F-316	2.10	0.63	0.88
HQC4	¼	¼ NPT	HQC4-B-4F	2.26	0.75	0.88
HQC4	¼	¼ NPT	HQC4-B-4F-316	2.26	0.75	0.88
HQC4	¼	¼ BSPT	HQC4-B-4FT	2.26	0.75	0.88
HQC4	¼	¼ BSPT	HQC4-B-4FT-316	2.26	0.75	0.88
HQC6	⅝	¼ NPT	HQC6-B-4F	2.60	0.75	1.00
HQC6	⅝	¼ NPT	HQC6-B-4F-316	2.60	0.75	1.00
HQC6	⅝	⅝ NPT	HQC6-B-6F	2.63	0.88	1.00
HQC6	⅝	⅝ NPT	HQC6-B-6F-316	2.63	0.88	1.00
HQC6	⅝	⅝ BSPT	HQC6-B-6FT	2.63	0.88	1.00
HQC6	⅝	⅝ BSPT	HQC6-B-6FT-316	2.63	0.88	1.00
HQC8	½	½ NPT	HQC8-B-8F	3.25	1.06	1.13
HQC8	½	½ NPT	HQC8-B-8F-316	3.25	1.06	1.13
HQC8	½	½ BSPT	HQC8-B-8FT	3.25	1.06	1.13
HQC8	½	½ BSPT	HQC8-B-8FT-316	3.25	1.06	1.13



Bulkhead Tube

SERIES	BODY SIZE	TUBE SIZE	PART NO.	A	B HEX	C
HQC4	¼	¼	HQC4-B1-4	2.59	0.63	0.88
HQC4	¼	¼	HQC4-B1-4-316	2.59	0.63	0.88
HQC4	¼	6mm	HQC4-B1-6M0	65.8mm	16.0mm	22.4mm
HQC4	¼	6mm	HQC4-B1-6M0-316	65.8mm	16.0mm	22.4mm
HQC6	⅝	⅝	HQC6-B1-6	3.02	0.75	1.00
HQC6	⅝	⅝	HQC6-B1-6-316	3.02	0.75	1.00
HQC6	⅝	10mm	HQC6-B1-10M0	76.7mm	19.1mm	25.4mm
HQC6	⅝	10mm	HQC6-B1-10M0-316	76.7mm	19.1mm	25.4mm



Note: All dimensions in inches unless specified as 'mm' (millimeters).

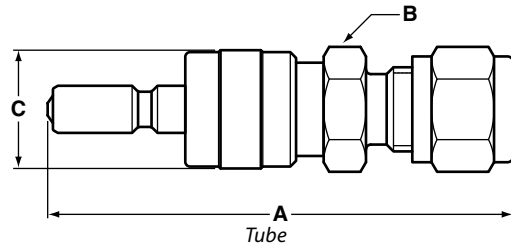
For 'H' and 'T' dimensions, see page 6

HQC Series Instrumentation Quick Couplings

Dimensions: Plugs, Non-valved, Single End Shutoff (SESO)

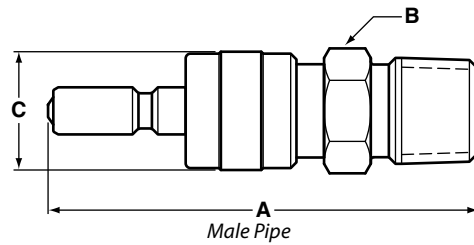
Tube

SERIES	BODY SIZE	TUBE SIZE	PART NO.	A	B HEX	C
HQC4	¼	⅝	HQC4-S-2-316	2.95	0.56	0.62
HQC4	¼	¼	HQC4-S-4	2.42	0.56	0.62
HQC4	¼	¼	HQC4-S-4-316	2.42	0.56	0.62
HQC4	¼	6mm	HQC4-S-6M0	79.2mm	14.2mm	15.7mm
HQC4	¼	6mm	HQC4-S-6M0-316	79.2mm	14.2mm	15.7mm
HQC6	⅝	⅝	HQC6-S-6	2.60	0.69	0.74
HQC6	⅝	⅝	HQC6-S-6-316	2.60	0.69	0.74
HQC6	⅝	10mm	HQC6-S-10M0	67.1mm	19.1mm	18.8mm
HQC6	⅝	10mm	HQC6-S-10M0-316	67.1mm	19.1mm	18.8mm
HQC8	½	½	HQC8-S-8	3.15	0.88	0.88
HQC8	½	½	HQC8-S-8-316	3.15	0.88	0.88
HQC8	½	12mm	HQC8-S-12M0	100.1mm	22.4mm	22.4mm
HQC8	½	12mm	HQC8-S-12M0-316	100.1mm	22.4mm	22.4mm



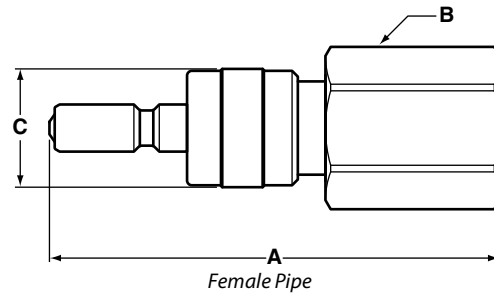
Male Pipe

SERIES	BODY SIZE	PIPE THREAD	PART NO.	A	B HEX	C
HQC4	¼	⅝ NPT	HQC4-S-2M	2.06	0.56	0.62
HQC4	¼	⅝ NPT	HQC4-S-2M-316	2.06	0.56	0.62
HQC4	¼	¼ NPT	HQC4-S-4M	2.24	0.56	0.62
HQC4	¼	¼ NPT	HQC4-S-4M-316	2.24	0.56	0.62
HQC4	¼	¼ BSPT	HQC4-S-4MT	2.24	0.56	0.62
HQC4	¼	¼ BSPT	HQC4-S-4MT-316	2.24	0.56	0.62
HQC6	⅝	¼ NPT	HQC6-S-4M	2.33	0.75	0.74
HQC6	⅝	¼ NPT	HQC6-S-4M-316	2.33	0.75	0.74
HQC6	⅝	⅝ NPT	HQC6-S-6M	2.33	0.75	0.74
HQC6	⅝	⅝ NPT	HQC6-S-6M-316	2.33	0.75	0.74
HQC6	⅝	⅝ BSPT	HQC6-S-6MT	2.33	0.75	0.74
HQC6	⅝	⅝ BSPT	HQC6-S-6MT-316	2.33	0.75	0.74
HQC8	½	½ NPT	HQC8-S-8M	2.87	0.88	0.88
HQC8	½	½ NPT	HQC8-S-8M-316	2.87	0.88	0.88
HQC8	½	½ BSPT	HQC8-S-8MT	2.87	0.88	0.88
HQC8	½	½ BSPT	HQC8-S-8MT-316	2.87	0.88	0.88



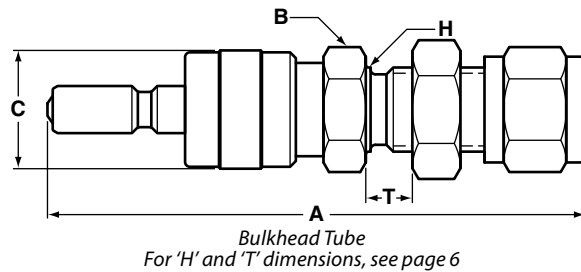
Female Pipe

SERIES	BODY SIZE	PIPE THREAD	PART NO.	A	B HEX	C
HQC4	¼	⅝ NPT	HQC4-S-2F	2.21	0.56	0.62
HQC4	¼	⅝ NPT	HQC4-S-2F-316	2.21	0.56	0.62
HQC4	¼	¼ NPT	HQC4-S-4F	2.34	0.75	0.62
HQC4	¼	¼ NPT	HQC4-S-4F-316	2.34	0.75	0.62
HQC4	¼	¼ BSPT	HQC4-S-4FT	2.34	0.75	0.62
HQC4	¼	¼ BSPT	HQC4-S-4FT-316	2.34	0.75	0.62
HQC6	⅝	¼ NPT	HQC6-S-4F	2.51	0.75	0.74
HQC6	⅝	¼ NPT	HQC6-S-4F-316	2.51	0.75	0.74
HQC6	⅝	⅝ NPT	HQC6-S-6F	2.53	0.88	0.74
HQC6	⅝	⅝ NPT	HQC6-S-6F-316	2.53	0.88	0.74
HQC6	⅝	⅝ BSPT	HQC6-S-6FT	2.53	0.88	0.74
HQC6	⅝	⅝ BSPT	HQC6-S-6FT-316	2.53	0.88	0.74
HQC8	½	½ NPT	HQC8-S-8F	3.12	1.06	0.88
HQC8	½	½ NPT	HQC8-S-8F-316	3.12	1.06	0.88
HQC8	½	½ BSPT	HQC8-S-8FT	3.12	1.06	0.88
HQC8	½	½ BSPT	HQC8-S-8FT-316	3.12	1.06	0.88



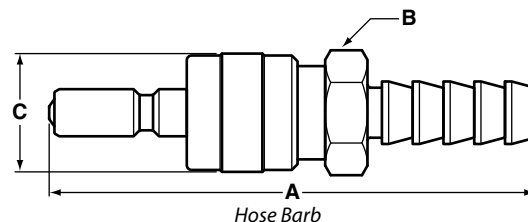
Bulkhead Tube

SERIES	BODY SIZE	TUBE SIZE	PART NO.	A	B HEX	C
HQC4	¼	¼	HQC4-S1-4	2.80	0.56	0.62
HQC4	¼	¼	HQC4-S1-4-316	2.80	0.56	0.62
HQC4	¼	6mm	HQC4-S1-6M0	88.8mm	14.2mm	15.7mm
HQC4	¼	6mm	HQC4-S1-6M0-316	88.8mm	14.2mm	15.7mm
HQC6	⅝	⅝	HQC6-S1-6-316	3.24	0.69	0.74
HQC6	⅝	10mm	HQC6-S1-10M0	82.3mm	19.1mm	18.8mm
HQC6	⅝	10mm	HQC6-S1-10M0-316	82.3mm	19.1mm	18.8mm



Hose Barb

SERIES	BODY SIZE	HOSE	PART NO.	A	B HEX	C
HQC6	⅝	⅝	HQC6-S-6H-316	2.66	0.69	0.74



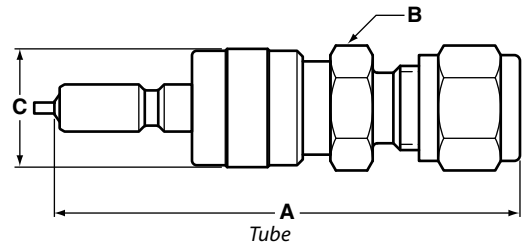
Note: All dimensions in inches unless specified as 'mm' (millimeters).

HQC Series Instrumentation Quick Couplings

Dimensions: Plugs, Valved, Double End Shutoff (DESO)

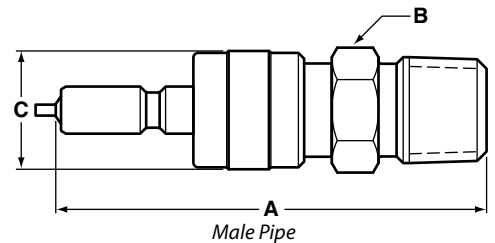
Tube

SERIES	BODY SIZE	TUBE SIZE	PART NO.	A	B HEX	C
HQC4	¼	⅝	HQC4-D-2-316	2.95	0.56	0.62
HQC4	¼	¼	HQC4-D-4	2.42	0.56	0.62
HQC4	¼	¼	HQC4-D-4-316	2.42	0.56	0.62
HQC4	¼	6mm	HQC4-D-6M0	79.2mm	14.2mm	15.7mm
HQC4	¼	6mm	HQC4-D-6M0-316	79.2mm	14.2mm	15.7mm
HQC6	⅝	⅝	HQC6-D-6	2.60	0.69	0.74
HQC6	⅝	⅝	HQC6-D-6-316	2.60	0.69	0.74
HQC6	⅝	10mm	HQC6-D-10M0	67.1mm	19.1mm	18.8mm
HQC6	⅝	10mm	HQC6-D-10M0-316	67.1mm	19.1mm	18.8mm
HQC8	½	½	HQC8-D-8	3.15	0.88	0.88
HQC8	½	½	HQC8-D-8-316	3.15	0.88	0.88
HQC8	½	12mm	HQC8-D-12M0	100.1mm	22.4mm	22.4mm
HQC8	½	12mm	HQC8-D-12M0-316	100.1mm	22.4mm	22.4mm



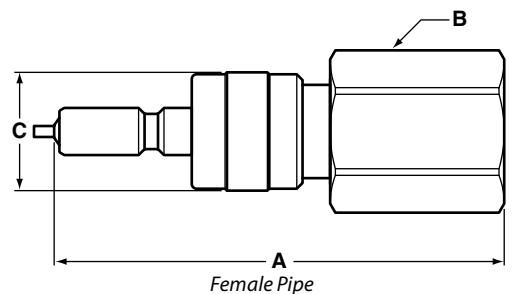
Male Pipe

SERIES	BODY SIZE	PIPE THREAD	PART NO.	A	B HEX	C
HQC4	¼	⅝ NPT	HQC4-D-2M	2.06	0.56	0.62
HQC4	¼	⅝ NPT	HQC4-D-2M-316	2.06	0.56	0.62
HQC4	¼	¼ NPT	HQC4-D-4M	2.24	0.56	0.62
HQC4	¼	¼ NPT	HQC4-D-4M-316	2.24	0.56	0.62
HQC4	¼	¼ BSPT	HQC4-D-4MT	2.24	0.56	0.62
HQC4	¼	¼ BSPT	HQC4-D-4MT-316	2.24	0.56	0.62
HQC6	⅝	¼ NPT	HQC6-D-4M	2.34	0.75	0.74
HQC6	⅝	¼ NPT	HQC6-D-4M-316	2.34	0.75	0.74
HQC6	⅝	⅝ NPT	HQC6-D-6M	2.34	0.75	0.74
HQC6	⅝	⅝ NPT	HQC6-D-6M-316	2.34	0.75	0.74
HQC6	⅝	⅝ BSPT	HQC6-D-6MT	2.34	0.75	0.74
HQC6	⅝	⅝ BSPT	HQC6-D-6MT-316	2.34	0.75	0.74
HQC8	½	½ NPT	HQC8-D-8M	2.87	0.88	0.88
HQC8	½	½ NPT	HQC8-D-8M-316	2.87	0.88	0.88
HQC8	½	½ BSPT	HQC8-D-8MT	2.87	0.88	0.88
HQC8	½	½ BSPT	HQC8-D-8MT-316	2.87	0.88	0.88



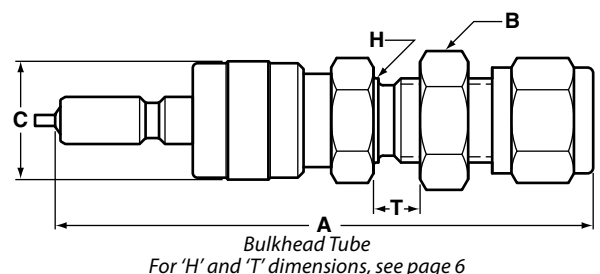
Female Pipe

SERIES	BODY SIZE	PIPE THREAD	PART NO.	A	B HEX	C
HQC4	¼	⅝ NPT	HQC4-D-2F	2.21	0.56	0.62
HQC4	¼	⅝ NPT	HQC4-D-2F-316	2.21	0.56	0.62
HQC4	¼	¼ NPT	HQC4-D-4F	2.34	0.75	0.62
HQC4	¼	¼ NPT	HQC4-D-4F-316	2.34	0.75	0.62
HQC4	¼	¼ BSPT	HQC4-D-4FT	2.34	0.75	0.62
HQC4	¼	¼ BSPT	HQC4-D-4FT-316	2.34	0.75	0.62
HQC6	⅝	¼ NPT	HQC6-D-4F	2.51	0.75	0.74
HQC6	⅝	¼ NPT	HQC6-D-4F-316	2.51	0.75	0.74
HQC6	⅝	⅝ NPT	HQC6-D-6F	2.53	0.88	0.74
HQC6	⅝	⅝ NPT	HQC6-D-6F-316	2.53	0.88	0.74
HQC6	⅝	⅝ BSPT	HQC6-D-6FT	2.53	0.88	0.74
HQC6	⅝	⅝ BSPT	HQC6-D-6FT-316	2.53	0.88	0.74
HQC8	½	½ NPT	HQC8-D-8F	3.12	1.06	0.88
HQC8	½	½ NPT	HQC8-D-8F-316	3.12	1.06	0.88
HQC8	½	½ BSPT	HQC8-D-8FT	3.12	1.06	0.88
HQC8	½	½ BSPT	HQC8-D-8FT-316	3.12	1.06	0.88



Bulkhead Tube

SERIES	BODY SIZE	TUBE SIZE	PART NO.	A	B HEX	C
HQC4	¼	¼	HQC4-D1-4	2.80	0.56	0.62
HQC4	¼	¼	HQC4-D1-4-316	2.80	0.56	0.62
HQC4	¼	6mm	HQC4-D1-6M0	88.8mm	14.2mm	15.7mm
HQC4	¼	6mm	HQC4-D1-6M0-316	88.8mm	14.2mm	15.7mm
HQC6	⅝	⅝	HQC6-D1-6	3.24	0.69	0.74
HQC6	⅝	⅝	HQC6-D1-6-316	3.24	0.69	0.74
HQC6	⅝	10mm	HQC6-D1-10M0	82.3mm	19.1mm	18.8mm
HQC6	⅝	10mm	HQC6-D1-10M0-316	82.3mm	19.1mm	18.8mm



Note: All dimensions in inches unless specified as 'mm' (millimeters).

HQC Series Instrumentation Quick Couplings

HOKE Color-Coded Keyed Quick Couplers

HOKE keyed quick couplers will fit only mating keyed components, preventing accidental mixing of fluid or pressure lines.

Body and plug assemblies are numbered and color-coded for positive identification.

HOKE keyed HQC Series quick couplers are interchangeable with Swagelok®, Parker®, and TOMCO® components of the same style. For example, the HOKE K1 body sleeve will fit a Swagelok® K1 plug sleeve of the same size.



KEY NUMBER	COLOR	HQC4		HQC6		HQC8	
		BODY SLEEVE O.D.	PLUG SLEEVE O.D.	BODY SLEEVE O.D.	PLUG SLEEVE O.D.	BODY SLEEVE O.D.	PLUG SLEEVE O.D.
K1	Black	0.96	0.82	1.13	0.99	1.26	1.10
K2	Orange	0.99	0.85	1.16	1.02	1.29	1.14
K3	Green	1.02	0.88	1.19	1.05	1.32	1.17
K4	Yellow	1.05	0.91	1.22	1.08	1.35	1.20
K5	Blue	1.08	0.94	1.24	1.11	1.38	1.23
K6	White	1.11	0.97	1.28	1.14	1.41	1.26
K7	Purple	1.14	1.00	1.31	1.17	1.44	1.29
K8	Brown	1.17	1.03	1.34	1.20	1.47	1.32

Keys K1–K5 are standard stock items. For keys K6–K8, consult the factory.

Panel Mount Dimensions

from Bulkhead drawings on pages 3, 4, and 5

	BULKHEAD SIZE	H	T
		PANEL HOLE	PANEL THICKNESS
HQC4	1/8" Gyrolok®	0.328"	0.250" max.
	1/4" Gyrolok®	0.469"	0.250" max.
	6mm Gyrolok®	11.9mm	6.3mm max.
HQC6	1/4" Gyrolok®	0.469"	0.250" max.
	3/8" Gyrolok®	0.594"	2.70" max.
	10mm Gyrolok®	15.1mm	6.9mm max.
HQC8	1/2" Gyrolok®	0.781"	0.260" max.

HQC Series Instrumentation Quick Couplings

How to Order

Standard items in bold.

HQC4 - B1 - 4 F - K1 - 316 - 203

BODY SIZE

- HQC4** ¼"
- HQC6** ⅜"
- HQC8** ½"

COMPONENT

- B** Body
- B1** Bulkhead body
- D** Plug valved
- D1** Plug valved bulkhead
- S** Plug non-valved
- S1** Plug non-valved bulkhead

PORT SIZE

- | | | | |
|----------|----|-------------|------|
| 2 | ⅛" | 6M0 | 6mm |
| 4 | ¼" | 8M0 | 8mm |
| 6 | ⅜" | 10M0 | 10mm |
| 8 | ½" | 12M0 | 12mm |

SEAL OPTIONS

- Blank Standard seal**
- 201** Viton® (standard for 316 SS)
 - 203** Kalrez®
 - 204** Ethylene Propylene
 - 205** Buna N (standard for brass)
 - 206** Neoprene

MATERIALS

- Blank Brass**
- 316** **Stainless steel**

OPTIONS

- Blank** No options
- C** Oxygen clean
- K1-K8** Keyed sleeves (see page 6)
- 1S** Low profile sleeve

PORT CONFIGURATIONS

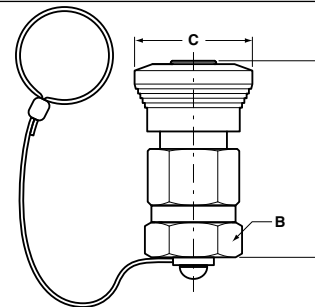
- Blank** Tube fitting
- F** Female NPT
- FT** Female British taper pipe
- H** Hose barb
- M** Male NPT
- MT** Male British taper pipe

Standard seal lubricant is Krytox®.

Accessories

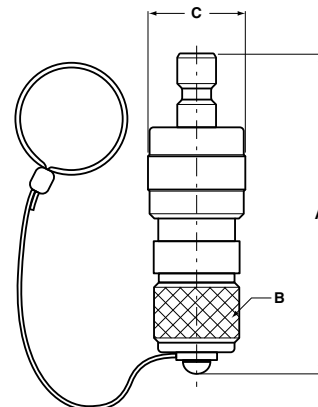
Dust Caps

SERIES	BODY SIZE	PART NO.	A	B HEX	C
HQC4	¼"	HQC4-C	1.45	0.63	0.88
HQC4	¼"	HQC4-C-316	1.45	0.63	0.88
HQC6	⅜"	HQC6-C	1.45	0.75	1.00
HQC6	⅜"	HQC6-C-316	1.45	0.75	1.00
HQC8	½"	HQC8-C	1.65	0.94	1.13
HQC8	½"	HQC8-C-316	1.65	0.94	1.13



Dust Plugs

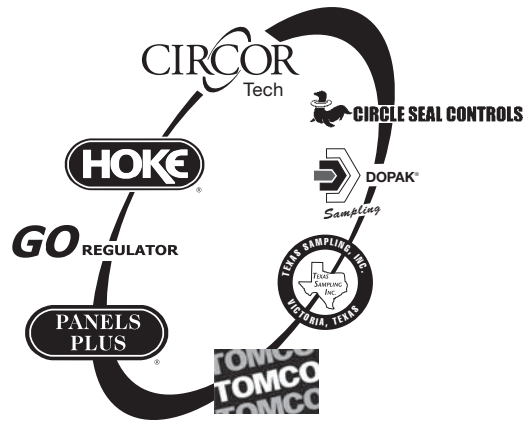
SERIES	BODY SIZE	PART NO.	A	B HEX	C
HQC4	¼"	HQC4-P	1.88	0.57	0.62
HQC4	¼"	HQC4-P-316	1.88	0.57	0.62
HQC6	⅜"	HQC6-P	1.98	0.63	0.74
HQC6	⅜"	HQC6-P-316	1.98	0.63	0.74
HQC8	½"	HQC8-P	2.25	0.75	0.88
HQC8	½"	HQC8-P-316	2.25	0.75	0.88



For Your Safety

It is solely the responsibility of the system designer and user to select products suitable for their specific application requirements and to ensure proper installation, operation, and maintenance of these products. Material compatibility, product ratings and application details should be considered in the selection. Improper selection or use of products described herein can cause personal injury or property damage.

*Xylan® is a registered trademark of Whitford Corporation.
Gyrolok® is a registered trademark of HOKE Incorporated.
Kalrez® and Viton® are registered trademarks of DuPont Dow Elastomers.
Krytox® and Teflon® are registered trademarks of the DuPont Company.
Swagelok® is a registered trademark of Swagelok Company.
Parker® is a registered trademark of Parker Hannifin Corporation
TOMCO® is a registered trademark of TOMCO Products, Inc.*



Hoke • GO Regulator • Tomco • CIRCOR Tech

405 Centura Court • PO Box 4866 (29305)

Spartanburg, SC 29303

Tel (864) 574-7966 • Fax (864) 587-5608

www.circortechnologies.com

Hoke Controls / Panels Plus

2054 Francis St.

Ontario, CA 91761

Tel (909) 923-3770

Fax (909) 923-2550

www.circor-panelsplus.com

Dopak Inc.

9572 Kempwood

Houston, Texas 77080

Tel (713) 460-8311

Fax (713) 460-8578

www.dopak.com

Texas Sampling, Inc

3706 Rio Grande

Victoria, Texas 77901

Tel (361) 575-8087

Fax (361) 575-8157

www.texassampling.com

Circle Seal Controls

2301 Wardlow Circle

Corona, CA 92880

Tel (951) 270-6200

Fax (951) 270-6201

www.circlesealcontrols.com

CIRCOR Instrumentation

Technologies

Central Europe

Leeuwenhoekweg 24

2661 CZ Bergschenhoek

The Netherlands

Tel +31 10 4206011 • Fax +31 10 4566774

www.circortechnologies.com

Hoke GmbH

Weitzesweg 11

Postfach 1541

D-61118 Bad Vilbel-Dortelweil

Germany

Tel +49 6101 82 56 0

Fax +49 6101 82 56 40

www.hoke.de

CIRCOR Instrumentation Technologies

CIRCOR Instrumentation Technologies (CIT) is a product group of CIRCOR International (NYSE: CIR), specializing in fluid process control solutions with orifice sizes typically up to 1". Our main product lines include ball, needle, packless, diaphragm, solenoid, and metering valves, pressure regulators, quick couplers, Gyrolok® compression tube fittings, and fully integrated sampling systems.

CIT markets primarily to the petrochemical, refining, power generation, food and beverage, semiconductor, and pharmaceutical industries, and to OEM's. CIT separates itself from the competition by offering highly engineered components manufactured to exacting standards and a variety of custom options.